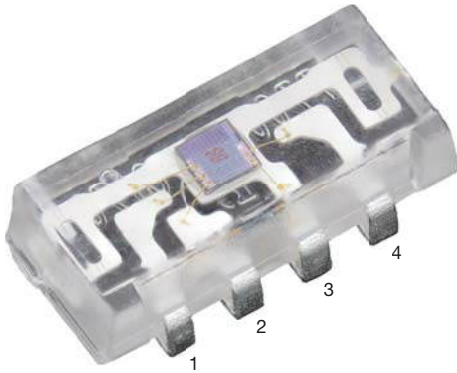


High Accuracy Ambient Light Sensor with I²C Interface


Pinning

- 1: SCL
- 2: V_{DD}
- 3: GND
- 4: SDA

DESCRIPTION

VEML7700 is a high accuracy ambient light digital 16-bit resolution sensor in a miniature transparent 6.8 mm x 3.0 mm x 2.5 mm package. It includes a high sensitive photo diode, a low noise amplifier, a 16-bit A/D converter and supports an easy to use I²C bus communication interface.

The ambient light result is as digital value available.

FEATURES

- Package type: surface mount
- Package form: side view
- Dimensions (L x W x H in mm): 6.8 x 2.35 x 3
- Integrated modules: ambient light sensor (ALS)
- Supply voltage range V_{DD}: 2.5 V to 3.6 V
- Communication via I²C interface
- Floor life: 72 h, MSL 4, according to J-STD-020
- Low shut down current consumption: typ. 0.5 μA
- Material categorization: for definitions of compliance please see www.vishay.com/doc?99912


AMBIENT LIGHT FUNCTION

- Filtron™ technology adaption: close to real human eye response
- O-Trim™ technology adoption: ALS output tolerance ≤ 10 %
- 16-bit dynamic range for ambient light detection from 0 lx to about 167 klx with resolution down to 0.005 lx/ct, supports low transmittance (dark) lens design
- 100 Hz and 120 Hz flicker noise rejection
- Excellent temperature compensation
- High dynamic detection resolution
- Software shutdown mode control

APPLICATIONS

- Ambient light sensor for backlight dimming of e.g. TV displays, smart phones, touch phones, PDA, GPS
- Ambient light sensor for industrial on- / off-lighting operation
- Optical switch for consumer, computing, and industrial devices and displays

PRODUCT SUMMARY							
PART NUMBER	OPERATING RANGE (mm)	OPERATING VOLTAGE RANGE (V)	I ² C BUS VOLTAGE RANGE (V)	AMBIENT LIGHT RANGE (lx)	AMBIENT LIGHT RESOLUTION (lx)	OUTPUT CODE	ADC RESOLUTION PROXIMITY / AMBIENT LIGHT
VEML7700	n/a	2.5 to 3.6	1.7 to 3.6	0 to 167 000	0.005	16 bit, I ² C	- / 0.005

ORDERING INFORMATION			
ORDERING CODE	PACKAGING	VOLUME ⁽¹⁾	REMARKS
VEML7700-TR	Tape and reel	MOQ: 2300 (MOQ is one reel)	Side view
VEML7700-TT	Tape and reel	MOQ: 2200 (MOQ is one reel)	Top view

Note

⁽¹⁾ MOQ: minimum order quantity

ABSOLUTE MAXIMUM RATINGS ($T_{amb} = 25\text{ }^{\circ}\text{C}$, unless otherwise specified)					
PARAMETER	TEST CONDITION	SYMBOL	MIN.	MAX.	UNIT
Supply voltage		V_{DD}	0	4	V
Operation temperature range		T_{amb}	-25	+85	$^{\circ}\text{C}$
Storage temperature range		T_{stg}	-25	+85	$^{\circ}\text{C}$
Total power dissipation	$T_{amb} \leq 25\text{ }^{\circ}\text{C}$	P_{tot}	-	50	mW
Junction temperature		T_j	-	100	$^{\circ}\text{C}$

BASIC CHARACTERISTICS ($T_{amb} = 25\text{ }^{\circ}\text{C}$, unless otherwise specified)						
PARAMETER	TEST CONDITION	SYMBOL	MIN.	TYP.	MAX.	UNIT
Supply voltage		V_{DD}	2.5	3.3	3.6	V
Shut down current (rem_2)	V_{DD} is 3.3 V	I_{sd}	-	0.5	-	μA
Operation mode current (rem_2)	V_{DD} is 3.3 V, PSM = 11, refresh time 4100 ms	I_{DD}	-	2	-	μA
	V_{DD} is 3.3 V, PSM = 00, refresh time 600 ms	I_{DD}	-	8	-	μA
	V_{DD} is 3.3 V, PSM_EN = 0, refresh time 100 ms	I_{DD}	-	45	-	μA
I ² C clock rate range		f_{SCL}	10	-	400	kHz
I ² C bus input H-level range	V_{DD} is 3.3 V	V_{ih}	1.3	-	3.6	V
I ² C bus input L-level range	V_{DD} is 3.3 V	V_{il}	-	-	0.4	V
Digital current out (low, current sink)		I_{ol}	3	-	?	mA
Digital resolution (LSB count)	with ALS_SM = "01"		-	0.005	-	lx/step
Detectable minimum illuminance	with ALS_SM = "01"	$E_{V\ min.}$	-	0.01	-	lx
Detectable maximum illuminance	with ALS_SM = "10"	$E_{V\ max.}$	-	167 000	-	lx
Dark offset (rem_2)	with ALS_SM = "01"		-	3	-	step

Note

- rem_1: light source: white LED
- rem_2: light conditions: dark

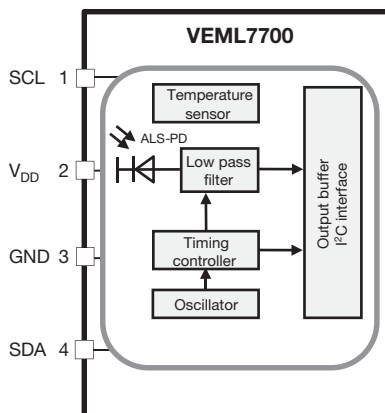
CIRCUIT BLOCK DIAGRAM


Fig. 1 - Block Diagram

BASIC CHARACTERISTICS ($T_{amb} = 25\text{ }^{\circ}\text{C}$, unless otherwise specified)

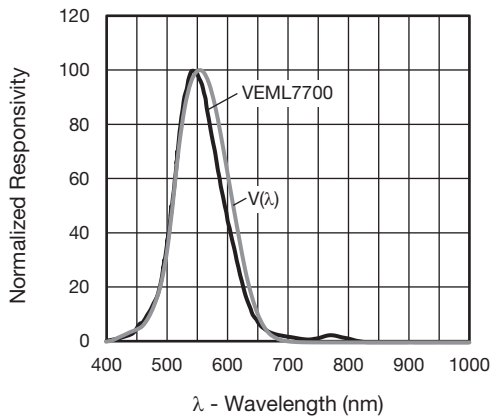


Fig. 2 - Spectral Response

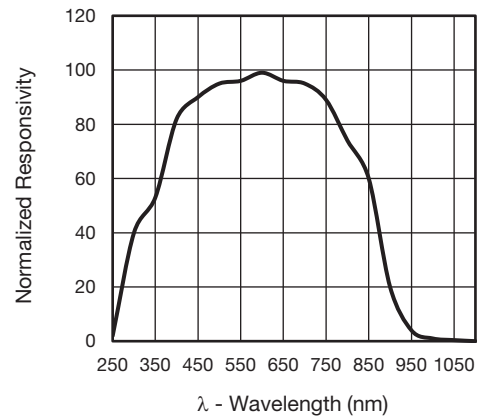


Fig. 3 - White Channel Sensitivity Spectrum

ALS sensitivity spectrum close to human eye photopic curve $v(\lambda)$. Human eye curve adaption achieved by Filtron™ technology.

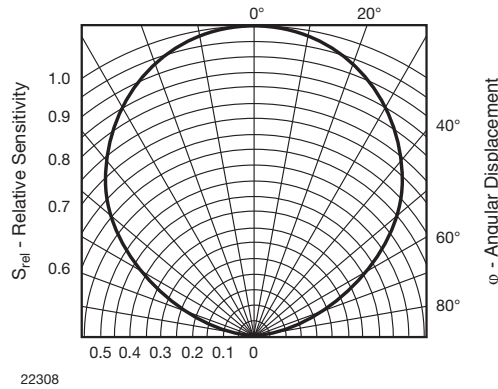


Fig. 4 - Relative Radiant Sensitivity vs. Angular Displacement

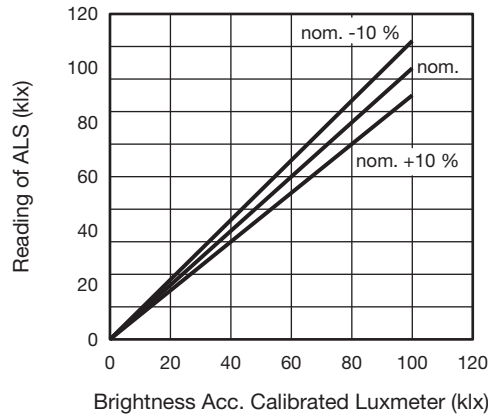


Fig. 5 - ALS measurement deviation between different light sources: $\leq 10\%$

APPLICATION INFORMATION

VEML7700 is a cost effective solution of ambient light sensor with I²C bus interface. The standard serial digital interface is easy to access “Ambient Light Signal” without complex calculation and programming by external controller.

1. Application Circuit

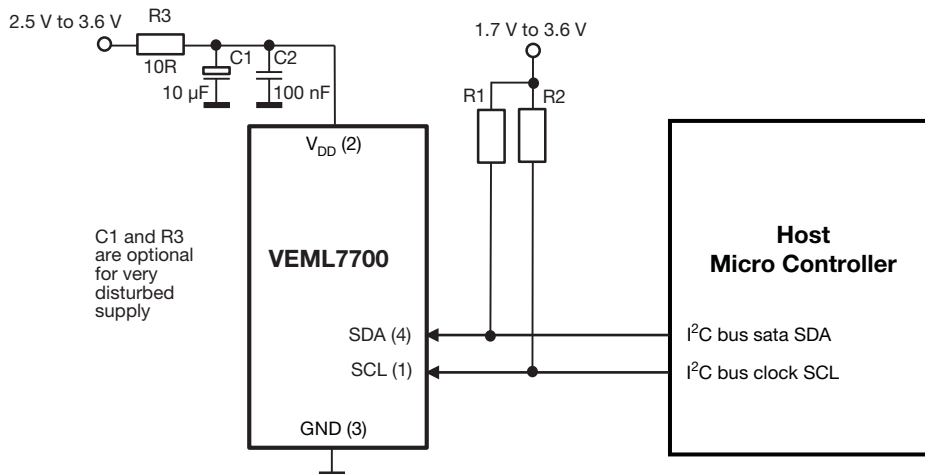


Fig. 6 - Application Diagram

Notes

- Proposed values for the pull-up resistor R1 and R2 should be > 1 kΩ, e.g. 2.2 kΩ to 4.7 kΩ.

For detailed description about set-up and use as well as more application related information see AN: “Designing VEML7700 into an Application”.

2. I²C Interface

The VEML7700 contains actual six 16 bit command codes for operation control, parameter setup, and result buffering. All registers are accessible via I²C communication. Figure 7 shows the basic I²C communication with VEML7700.

The built in I²C interface is compatible with I²C modes “standard” and “fast”: 10 kHz to 400 kHz.

I²C H-level range = 1.3 V to 3.6 V.

Please refer to the I²C specification from NXP for details.

Send byte Write command to VEML7700

S	Slave address	Wr	A	Command code	A	Data byte (LSB)	A	Data byte (MSB)	A	P
---	---------------	----	---	--------------	---	-----------------	---	-----------------	---	---

Receive byte Read data from VEML7700

S	Slave address	Wr	A	Command code	A	S	Slave address	Rd	A	Data byte (LSB)	A	Data byte (MSB)	N	P
---	---------------	----	---	--------------	---	---	---------------	----	---	-----------------	---	-----------------	---	---

S = start condition Host action
 P = stop condition
 A = acknowledge VEML7700 response
 N = no acknowledge

Fig. 7 - Send Byte / Receive Byte Protocol

Register Addresses

VEML7700 has actual six user accessible 16 bit command codes.

The addresses are 00h to 06h (03h not defined / reserved).

Device Address

The VEML7700 has a fix slave address for the host programming and accessing selection.

The slave address (7 bit) is set to 0010000 = 0x10.

The least significant bit (LSB) defines read or write mode.

According 8 bit the bus address is then 0010 0000 = 20h for write and 0010 0001 = 21h for read.

Auto-Memorization

VEML7700 can memorize the last ambient data before shutdown and keep this data before waking up.

When VEML7700 is in shutdown mode, the host can freely read this data via read command directly.

When VEML7700 wakes up, the data will be refreshed by new detection.



Interrupt pin not available for VEML7700

COMMAND REGISTER FORMAT				
COMMAND CODE	REGISTER NAME	BIT	FUNCTION / DESCRIPTION	R / W
00	reserved	15 : 13	Set 000b	W
	ALS_SM	12 : 11	Sensitivity mode selection 00 = ALS sensitivity x 1 01 = ALS sensitivity x 2 10 = ALS sensitivity x (1/8) 11 = ALS sensitivity x (1/4)	W
	reserved	10	Set 0b	W
	ALS_IT	9 : 6	ALS integration time setting 1100 = 25 ms 1000 = 50 ms 0000 = 100 ms 0001 = 200 ms 0010 = 400 ms 0011 = 800 ms	W
	ALS_PERS	5 : 4	ALS persistence protect number setting 00 = 1 01 = 2 10 = 4 11 = 8	W
	reserved	3 : 2	Set 00b	W
	ALS_INT_EN	1	ALS interrupt enable setting 0 = ALS INT disable 1 = ALS INT enable	W
	ALS_SD	0	ALS shut down setting 0 = ALS power on 1 = ALS shut down	W
01	ALS_WH	15 : 8	ALS high threshold window setting (MSB)	W
		7 : 0	ALS high threshold window setting (LSB)	W
02	ALS_WL	15 : 8	ALS low threshold window setting (MSB)	W
		7 : 0	ALS low threshold window setting (LSB)	W
03	reserved	15 : 3	set 0000 0000 0000 0b	
	PSM	2 : 1	Power saving mode; see table "Refresh time" 00 = mode 1 01 = mode 2 10 = mode 3 11 = mode 4	W
	PSM_EN	0	Power saving mode enable setting 0 = disable 1 = enable	W
04	ALS	15 : 8	MSB 8 bits data of whole ALS 16 bits	R
		7 : 0	LSB 8 bits data of whole ALS 16 bits	R
05	WHITE	15 : 8	MSB 8 bits data of whole WHITE 16 bits	R
		7 : 0	LSB 8 bits data of whole WHITE 16 bits	R
06	ALS_IF_L	15	ALS crossing low threshold INT trigger event	R
	ALS_IF_H	14	ALS crossing high threshold INT trigger event	R
	reserved	13 : 0		

Note

- Command code 0 default value is 01 = devices is shut down

**Command Code #0: Configuration Register**

Register address = 00h

The command code #0 is for configuration of the ambient light measurements.

TABLE 1 - CONFIGURATION REGISTER #0

COMMAND CODE	REGISTER NAME	BIT	FUNCTION / DESCRIPTION	R / W
00	reserved	15 : 13	Set 000b	W
	ALS_SM	12 : 11	Sensitivity mode selection 00 = ALS sensitivity x 1 01 = ALS sensitivity x 2 10 = ALS sensitivity x (1/8) 11 = ALS sensitivity x (1/4)	W
	reserved	10	Set 0b	W
	ALS_IT	9 : 6	ALS integration time setting 1100 = 25 ms 1000 = 50 ms 0000 = 100 ms 0001 = 200 ms 0010 = 400 ms 0011 = 800 ms	W
	ALS_PERS	5 : 4	ALS persistence protect number setting 00 = 1 01 = 2 10 = 4 11 = 8	W
	reserved	3 : 2	Set 00b	W
	ALS_INT_EN	1	ALS interrupt enable setting 0 = ALS INT disable 1 = ALS INT enable	W
	ALS_SD	0	ALS shut down setting 0 = ALS power on 1 = ALS shut down	W
01	ALS_WH	15 : 8	ALS high threshold window setting (MSB)	W
		7 : 0	ALS high threshold window setting (LSB)	W
02	ALS_WL	15 : 8	ALS low threshold window setting (MSB)	W
		7 : 0	ALS low threshold window setting (LSB)	W
04	ALS	15 : 8	MSB 8 bits data of whole ALS 16 bits	R
		7 : 0	LSB 8 bits data of whole ALS 16 bits	R
05	reserved	3 : 2	Set 00b	R
06	ALS_IF_L	15	ALS crossing low threshold INT trigger level	R
	ALS_IF_H	14	ALS crossing high threshold INT trigger level	R
	reserved	13 : 0		

Note

- Light level [lx] is (OUTPUT DATA [dec.] / ALS sensitivity) x (10 / IT [ms]). Please study also the application note.

Command Code #1: High Threshold Windows Setting

Command code address = 01h. Once enable INT function and use high / low windows threshold, bit 15:0 provides 16 bit register for high bound threshold windows setting.

TABLE 2 - HIGH THRESHOLD WINDOWS SETTING #1

Bit 15	Bit 14	Bit 13	Bit 12	Bit 11	Bit 10	Bit 9	Bit 8	Bit 7	Bit 6	Bit 5	Bit 4	Bit 3	Bit 2	Bit 1	Bit 0
Description															
ALS high threshold window setting (15:8 MSB 8 bits of whole 16 bits)															
ALS high threshold window setting (7:0 LSB 8 bits of whole 16 bits)															



Command Code #2: Low Threshold Windows Setting

Command code address = 02h. Once enable INT function and use high / low windows threshold, bit 15:0 provides 16 bit register for low bound threshold windows setting.

TABLE 3 - LOW THRESHOLD WINDOWS SETTING #2															
Bit 15	Bit 14	Bit 13	Bit 12	Bit 11	Bit 10	Bit 9	Bit 8	Bit 7	Bit 6	Bit 5	Bit 4	Bit 3	Bit 2	Bit 1	Bit 0
Description															
ALS low threshold window setting (15:8 MSB 8 bits of whole 16 bits)															
ALS low threshold window setting (7:0 LSB 8 bits of whole 16 bits)															

Command Code #3: reserved

Command Code #4: ALS High Resolution Output Data

Command code address = 04h. To access 16 bit high resolution ALS output, it is suitable to follow read protocol to read from command code 04 16 bits register.

TABLE 4 - ALS HIGH RESOLUTION OUTPUT DATA #4															
Bit 15	Bit 14	Bit 13	Bit 12	Bit 11	Bit 10	Bit 9	Bit 8	Bit 7	Bit 6	Bit 5	Bit 4	Bit 3	Bit 2	Bit 1	Bit 0
Description															
ALS high resolution output data (15 : 8 MSB 8 bits of whole 16 bits)															
ALS high resolution output data (7 : 0 LSB 8 bits of whole 16 bits)															

Command Code #5: White Channel Output Data

Command code address = 05h. To access 16 bit WHITE output, it is suitable to follow read protocol to read from command code 05 16 bits register.

TABLE 5 - WHITE CHANNEL OUTPUT DATA #5															
Bit 15	Bit 14	Bit 13	Bit 12	Bit 11	Bit 10	Bit 9	Bit 8	Bit 7	Bit 6	Bit 5	Bit 4	Bit 3	Bit 2	Bit 1	Bit 0
Description															
WHITE output data (15 : 8 MSB 8 bits of whole 16 bits)															
WHITE output data (7 : 0 LSB 8 bits of whole 16 bits)															

Command Code #6: Interrupt Status

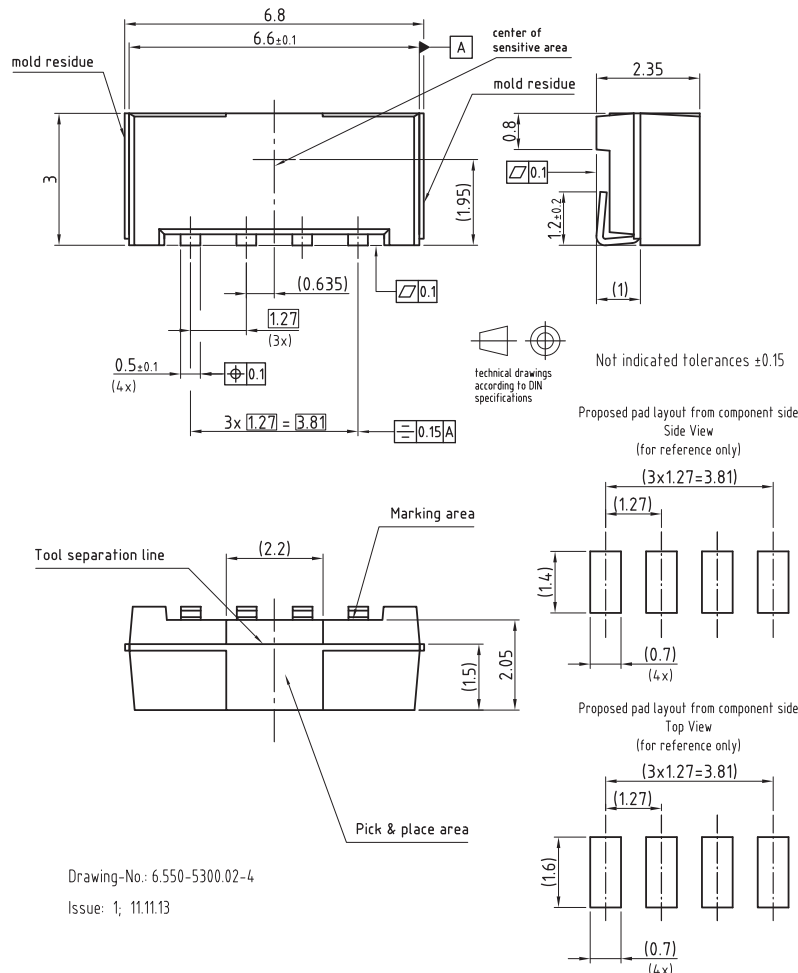
Command code address = 06h. Bit 15 defines interrupt flag while trigger occurred due to data crossing low threshold windows. Bit 14 defines interrupt flag while trigger occurred due to data crossing high threshold windows.

TABLE 6 - INTERRUPT STATUS #6		
Bit 15	Bit 14	Bit 13 to 0
int_th_low	int_th_high	reserved
Description		
int_th_low	R bit. Indicated a low threshold exceed	
int_th_high	R bit. Indicated a high threshold exceed	

REFRESH TIME DETERMINATION OF PSM

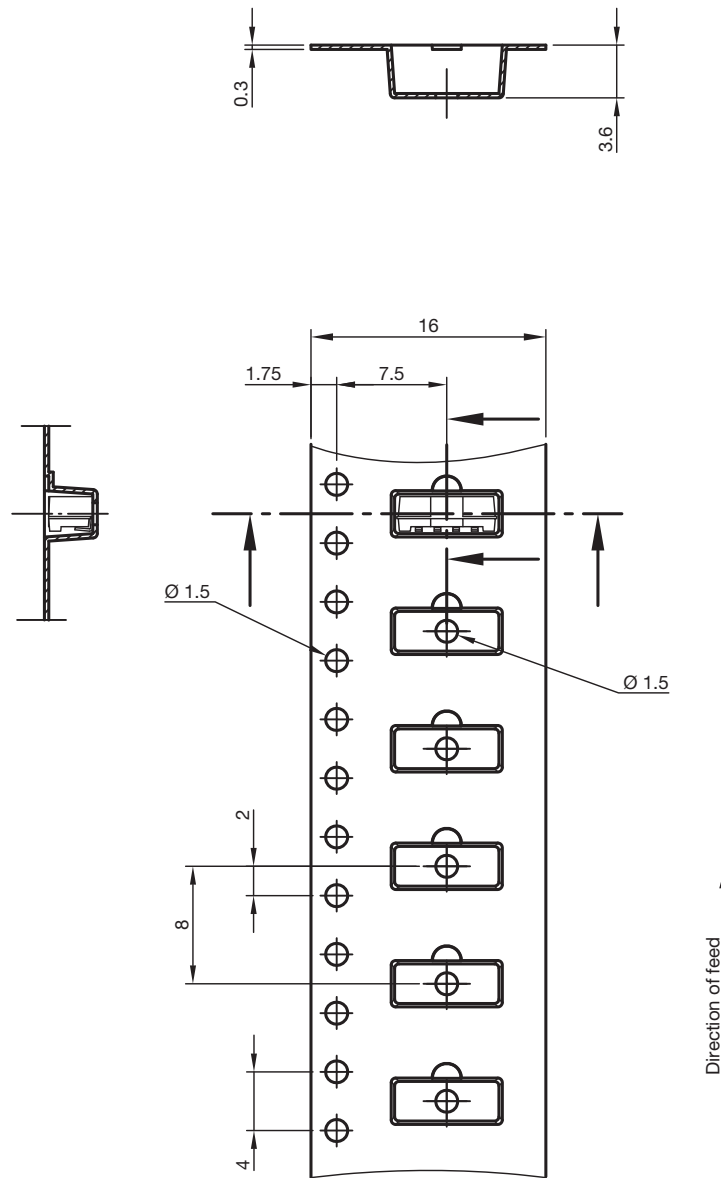
VEML7700's refresh time can be determined by PSM and ALS_IT setting in power saving mode (PSM). Cooperating with the command register setting, the designer has a flexible method in defining the timing, power consumption, and sensitivity for light data collection.

REFRESH TIME, I _{DD} , AND SENSITIVITY RELATION					
ALS_SM	PSM	ALS_IT	REFRESH TIME (ms)	I _{DD} (μA)	SENSITIVITY (lx/bit)
01	00	0000	600	8	0.042
01	01	0000	1100	5	0.042
01	10	0000	2100	3	0.042
01	11	0000	4100	2	0.042
01	00	0001	700	13	0.021
01	01	0001	1200	8	0.021
01	10	0001	2200	5	0.021
01	11	0001	4200	3	0.021
01	00	0010	900	20	0.010
01	01	0010	1400	13	0.010
01	10	0010	2400	8	0.010
01	11	0010	4400	5	0.010
01	00	0011	1300	28	0.005
01	01	0011	1800	20	0.005
01	10	0011	2800	13	0.005
01	11	0011	4800	8	0.005

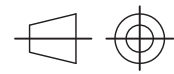
PACKAGE DIMENSIONS in millimeters




TAPING SIDE VIEW (-TR VERSION) in millimeters

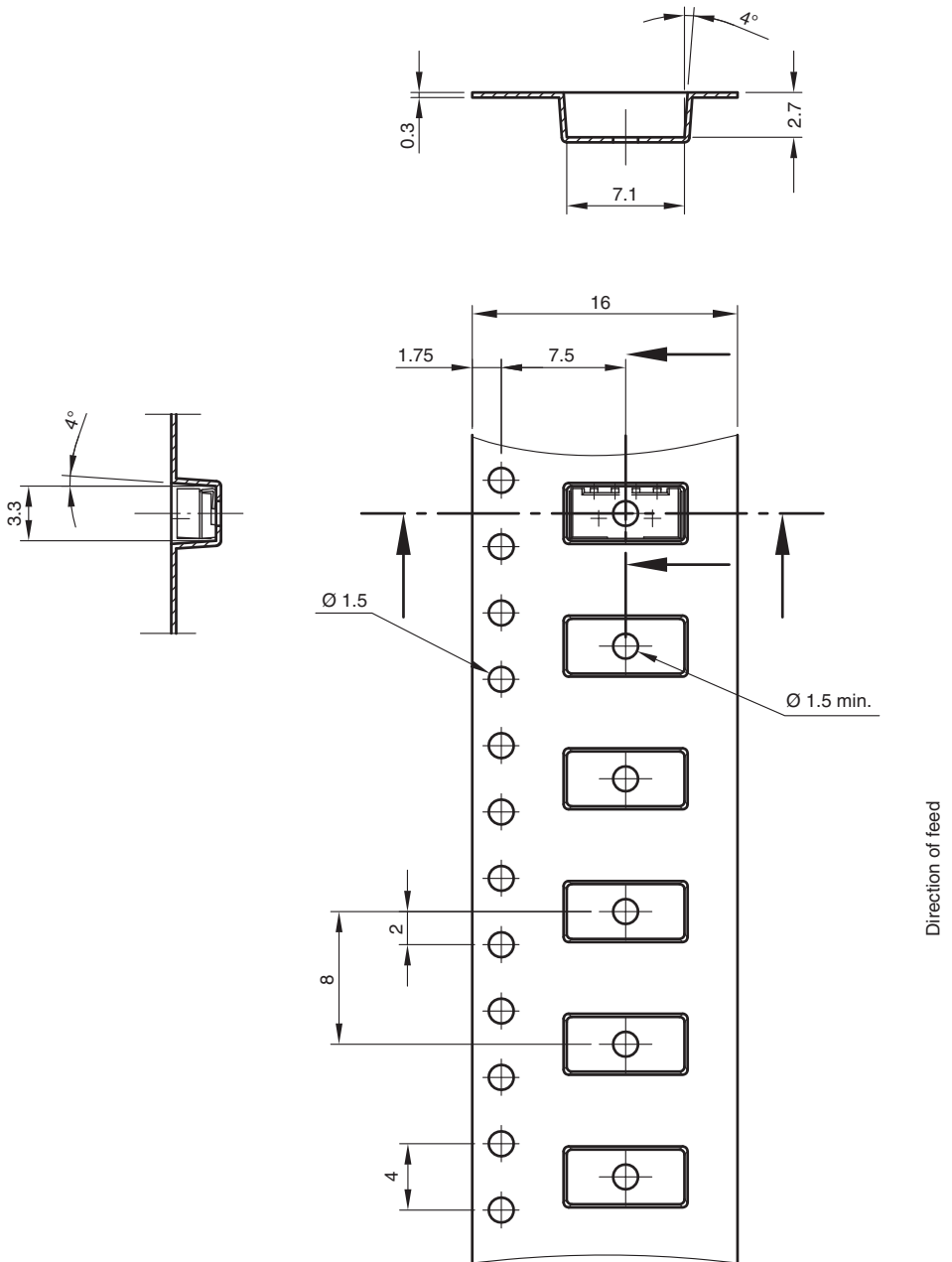


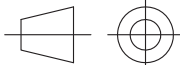
Drawing-No.: 9.700-5342.01-4
Issue: 2; 12.06.13


technical drawings
according to DIN
specifications



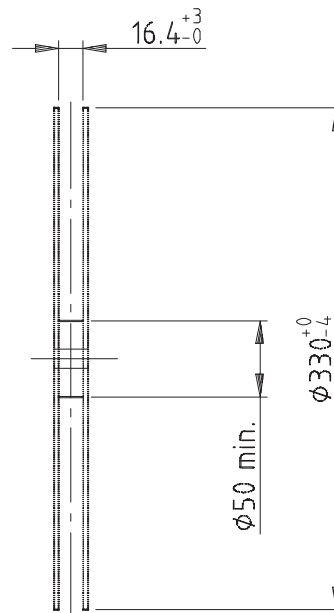
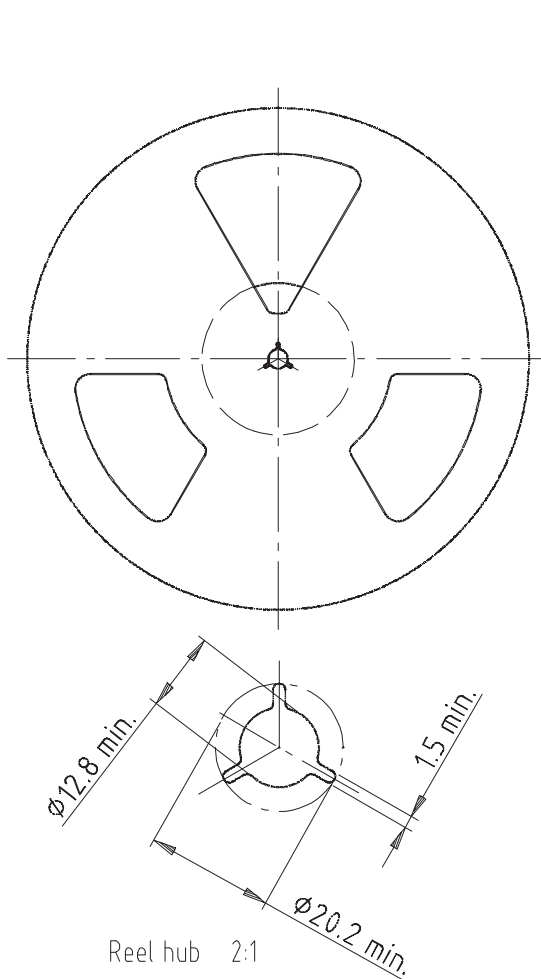
TAPING TOP VIEW (-TT VERSION) in millimeters




technical drawings
according to DIN
specifications

Drawing-No.: 9.700-5341.01-4
Issue: 2: 23.03.09
21666

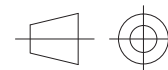
REEL DIMENSIONS in millimeters



Form of the leave open of the wheel is supplier specific.

Dimension acc. to IEC EN 60 286-3

Tape width 16



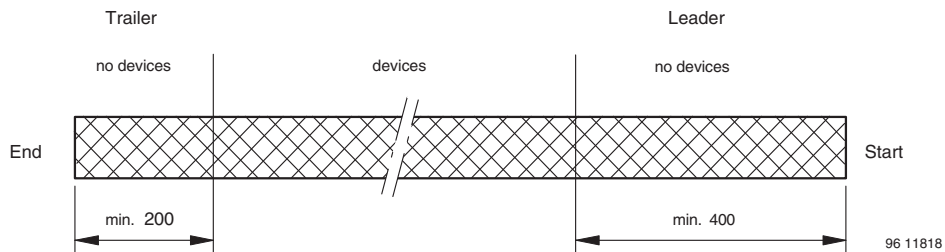
technical drawings according to DIN specifications

Drawing-No.: 9.800-5052.V2-4

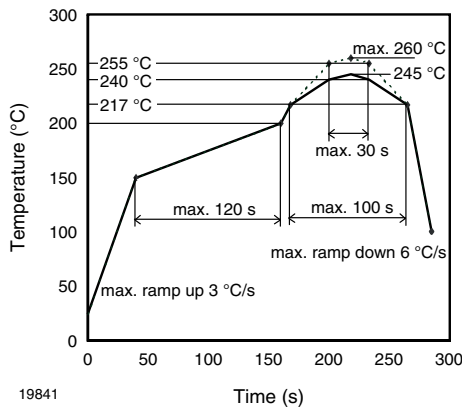
Issue: 1; 07.05.02

16734

LEADER AND TRAILER DIMENSIONS in millimeters



REFLOW SOLDER PROFILE



19841

Fig. 8 - Lead (Pb)-free Reflow Solder Profile according to J-STD-020

DRYPACK

Devices are packed in moisture barrier bags (MBB) to prevent the products from moisture absorption during transportation and storage. Each bag contains a desiccant.

FLOOR LIFE

Floor life (time between soldering and removing from MBB) must not exceed the time indicated on MBB label:

Floor life: 72 h

Conditions: $T_{amb} < 30\text{ °C}$, $RH < 60\%$

Moisture sensitivity level 4, according to J-STD-020.

DRYING

In case of moisture absorption devices should be baked before soldering. Conditions see J-STD-020 or label. Devices taped on reel dry using recommended conditions 192 h at $40\text{ °C} (+ 5\text{ °C})$, $RH < 5\%$.