


EOZ
 SOLUTIONS & COMPONENTS

DJET Ø 6.35 mm Toggle Switch and Pushbutton

Recommended for outdoor applications, military and avionics equipment, telecommunications, medical equipment, power supplies.

The professional toggle and pushbutton switches are in one or two pole version available. The switches are IP 67 front sealed or IP 65 with fitted silicone cap.

Toggle and pushbuttons switches of the DJET series are available in two sizes and fit in to front panel mounting hole of 6.35 mm dia.

MOUNTING

The switches are mounted by pushing them through the mounting hole in the front panel. They are fixed with a fixing nut.

Switching system

Positive snap-action

MATERIAL

Material of contact

Gold contacts: Gold/gold plated brass contacts

Silver contacts: Solid silver/silver-plated contacts

MECHANICAL CHARACTERISTICS

Front panel thickness

Min. 1.2 mm

Terminals

Gold contacts: Gold plated brass

Silver contacts: Silver plated brass

Tightening torque

Rear nut 125 Ncm

Do not tighten by means of top nut!



ELECTRICAL CHARACTERISTICS

Operating voltage/-current

10 V, 50 mA minimum (silver contacts)

10 mV, 100 µA (gold contacts)

Isolation resistance

>100 000 MΩ at 500 VDC

Contact resistance

<10 mΩ

Electrical life

100 000 operations

Switch rating

Resistive circuit

Voltage	220 VAC	110 VAC	48 VDC	24 VDC	12 VDC
Current	1.5 A	2.5 A	1 A	2.25 A	4.5 A

Inductive circuit

50 % of above values

Electric strength

1000 Vrms, 50 Hz between terminals on the same pole

2000 Vrms, 50 Hz between all terminals connected

together and ground

2000 Vrms, 50 Hz between terminals of adjacent poles

ENVIRONMENTAL CONDITIONS

Storage temperature

-40 °C ... +85 °C

Operating temperature

-40 °C ... +85 °C

Protection degree

IP 67 (sealed 10 mm dia. version only)

IP 65 with protective cap

Shock resistance

100 g, as per IEC 60512-4

Resistance to vibrations

10 g, 10 ... 2000 Hz, 10 cycles, as per IEC 60512-4

Damp heat

56 days (Gold contact versions only)



EOZ
SOLUTIONS & COMPONENTS

DJET Ø 6.35 mm Toggle Switch and Pushbutton

STANDARD PART NUMBERS

Pushbutton



Toggle Switch

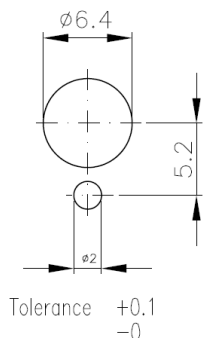


	Front ring	Switching action	Contact matériel	Contact	Typ-Nr	Drawing dimensions
Toggle switch Ø6.35 mm	Metal chrome	MA-MA	Silver (Ag)	1 C	01.17301.21	3
			Silver (Ag)	2 C	02.17312.21	2
Pushbutton Ø 6.35 mm	Metal mat-black	MA-Mo	Gold (Au)	1 C	17.17851.30	1
	Metal chrome	MA-Mo	Gold (Au)	1 C	17.17851.21	1
			Silver (Ag)	1 C	07.17801.21	1

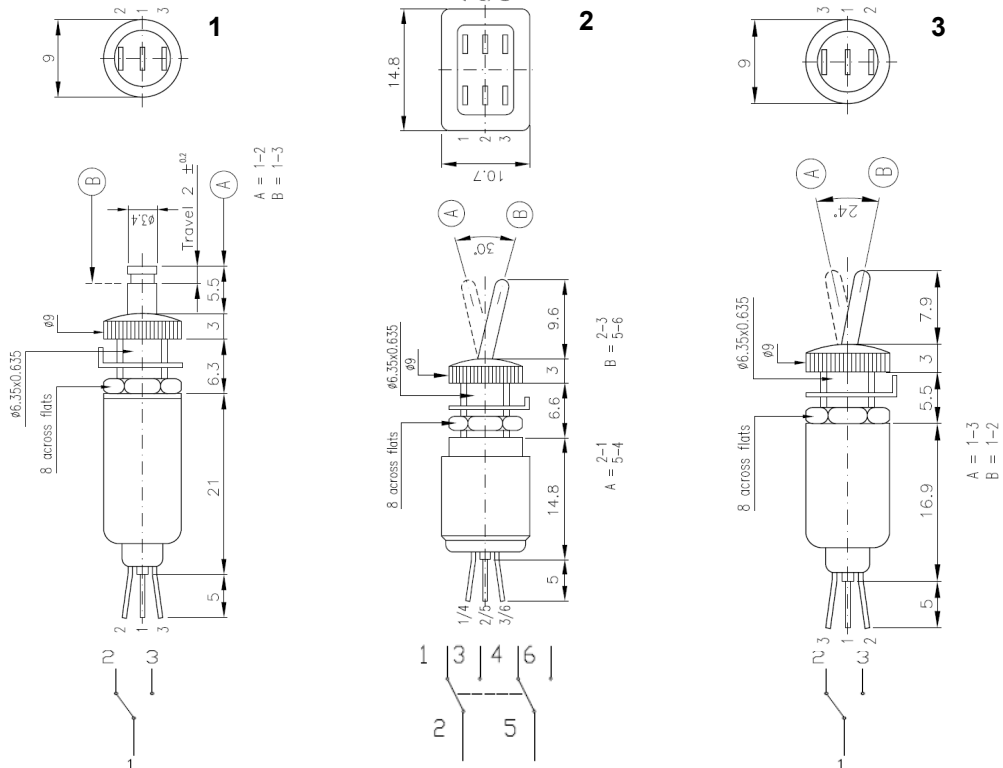
Switching action: MA –Maintained Mo - Momentary
Soldering terminal
C= changeover

IMPLANTATION

FRONT PANEL
MOUNTING HOLE:



DRAWING DIMENSIO



The sales department is at your disposal

Email : contact@eozonline.com

site: www.eozonline.com